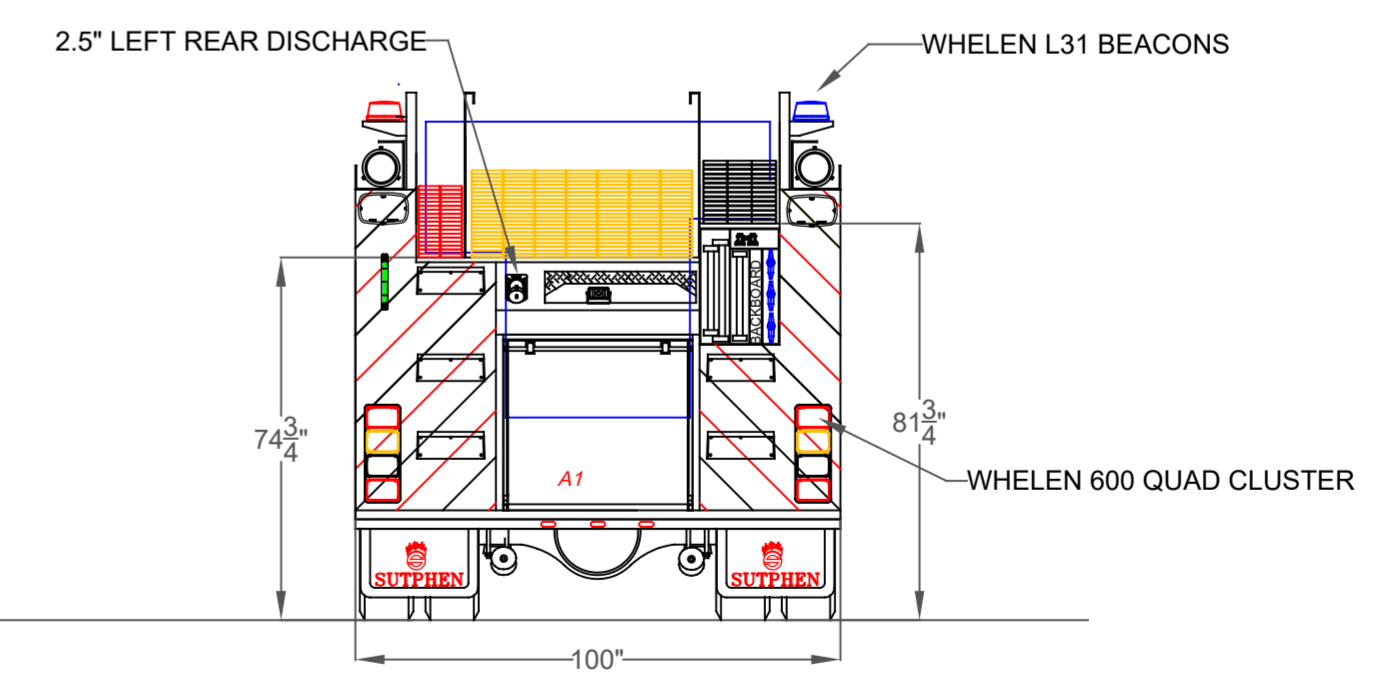
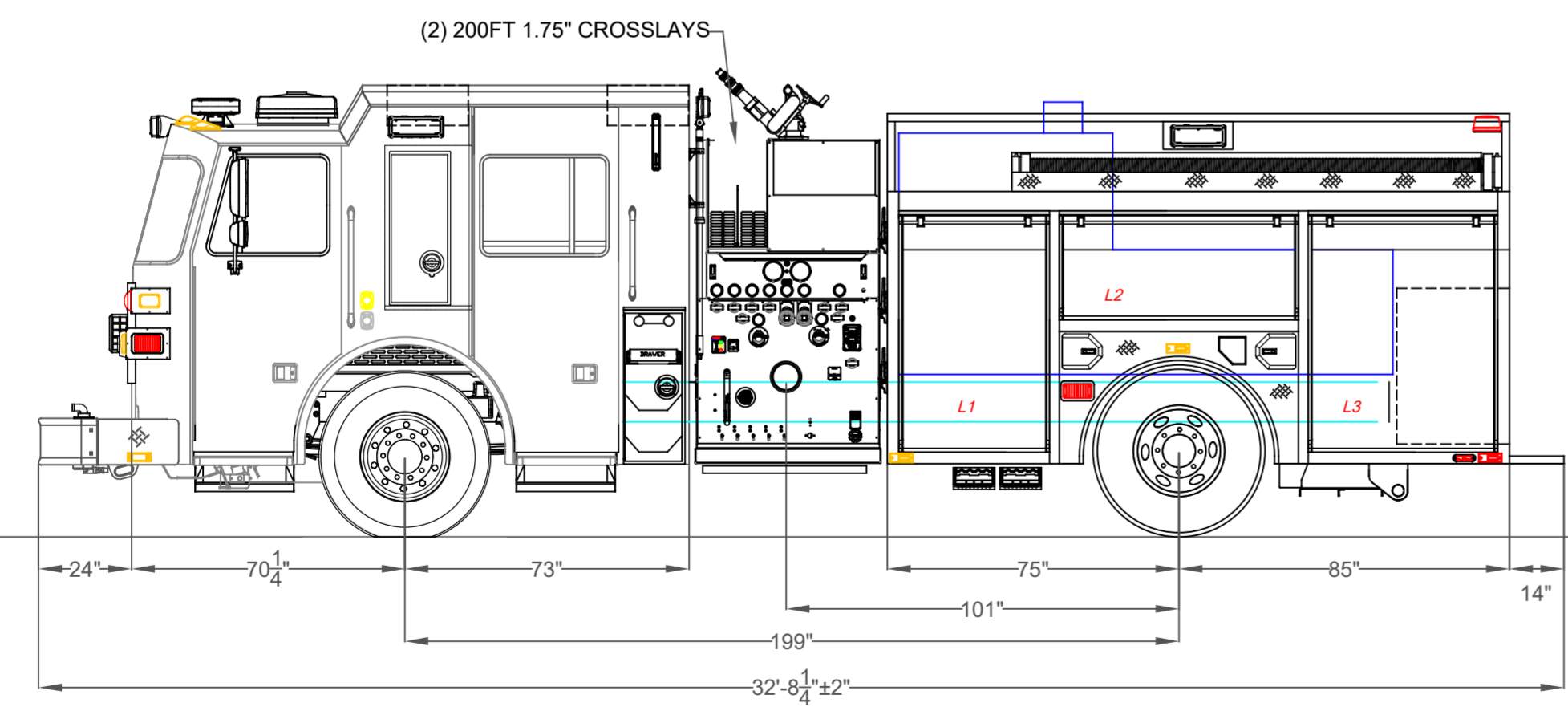


Left Side Compartmentation				
Compt	Doors	Opening Dimensions	Inside Dimensions	Volume
WxHxD				
L1	Roll Up	36x56	43x66x27.25	44.8 CU FT
L2	Roll Up	57x22	64x32x10.25	32.3 CU FT
L3	Roll Up	46x56	53x66x27.25	55.2 CU FT
Right Side Compartmentation				
Compt	Doors	Opening Dimensions	Inside Dimensions	Volume
R1	Roll Up	36x56	43x66x27.25/10.25	31.2 CU FT
R2	Roll Up	57x22	64x32x10.25	12.1 CU FT
R3	Roll Up	46x56	53x66x27.25/10.25	38.5 CU FT
Rear Compartmentation				
Compt	Doors	Opening Dimensions	Inside Dimensions	Volume
A1	Roll Up	41x30	42x40x28.75	28.0 CU FT
Total Volume				242.0 CU FT

Hale Qmax 1500 single stage
Water Tank Capacity 1000 gal



DIMENSIONS SHOWN ON THIS DRAWING ARE APPROXIMATE AND ARE SUBJECT TO MINOR DEVIATIONS DURING CONSTRUCTION. IN THE EVENT OF A DISCREPANCY BETWEEN SUTPHEN SPECIFICATIONS AND DRAWING, THE SUTPHEN SPECIFICATIONS SHALL PREVAIL. DRAWING IS FOR REFERENCE ONLY. SOME ITEMS PROPOSED MAY NOT BE SHOWN OR NOTED.	CUSTOMER APPROVAL DocuSigned by: NAME: John Spaeth TITLE: John Spaeth DATE: 09/29/2020 5:27 AM PDT	PRECONSTRUCTION DESCRIPTION SED 9/13/20	DRAWN BY: S.DORFMAN DATE: 7/23/20 MFG. FACILITY: SUTPHEN EAST SUTPHEN EAST LAKE ARIEL, PA	SUTPHEN EAST 55 INNOVATION DRIVE LAKE ARIEL, PA 1-844-776-2889 NORTHVILLE FIRE DEPARTMENT NORTHVILLE, NY CUSTOM PROGRAM 2 ALUMINUM PUMPER HS 6867 PRE-CON DRAWING
	THIS PRINT IS PROVIDED ON A RESTRICTED BASIS AND IS NOT TO BE USED IN ANY WAY DETRIMENTAL TO THE INTEREST OF SUTPHEN CORPORATION		REV.	DWG. NO.